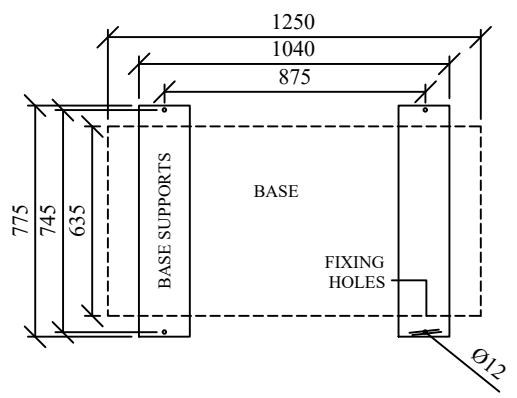
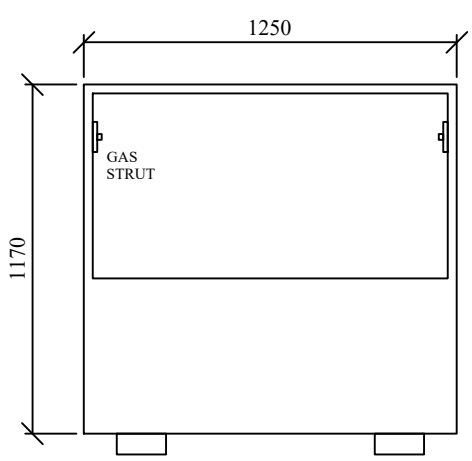


HIGHLY  
SECURE  
VANDAL RESISTANT

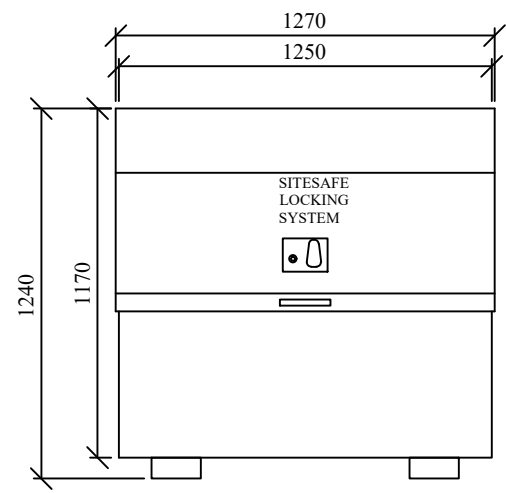


PLAN VIEW  
OF UNIT BASE

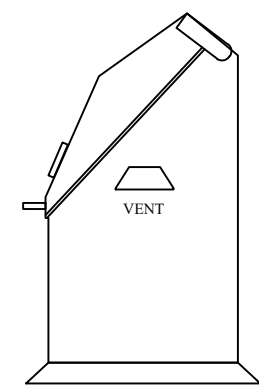


VIEW OF ACCESS  
OPENING - LID  
REMOVED

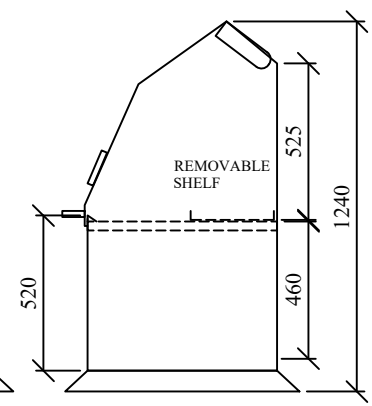
BASE SUPPORTS DOUBLE  
AS FORKLIFT POINTS



FRONT ELEVATION



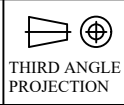
SIDE ELEVATION



SIDE ON SECTION

DO NOT SCALE

REMOVE ALL  
BURRS AND  
SHARP EDGES



REV No	DATE	BY	CUSTOMER
REV 1			
REV 2			
REV 3			
REV 4			

**CLEVELAND  
SITESAFE  
LIMITED**

RIVERSIDE WORKS  
CLEVELAND  
TS3 8AT  
01642 244663

DRAWN JWH	DESCRIPTION
SCALE	UNIVERSAL 350 UNIT
DATE 26/06/2009	DRG No UNI350WEB