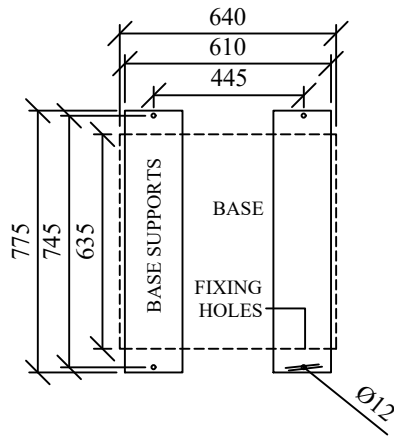
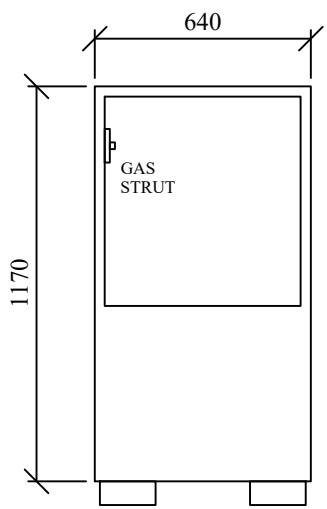


HIGHLY
SECURE
VANDAL RESISTANT

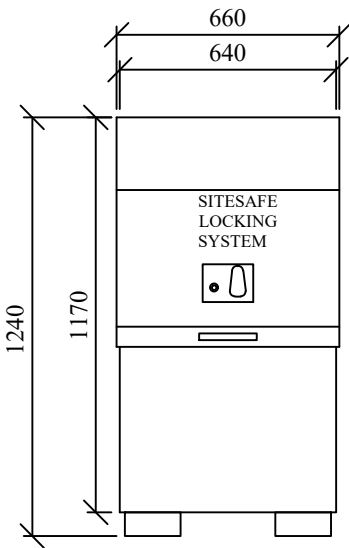


PLAN VIEW
OF UNIT BASE

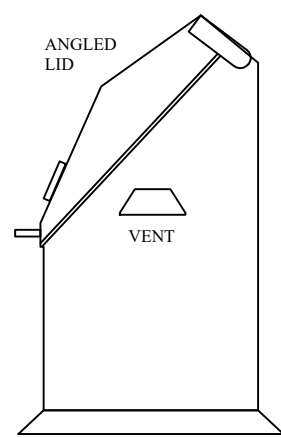


VIEW OF ACCESS
OPENING - LID
REMOVED

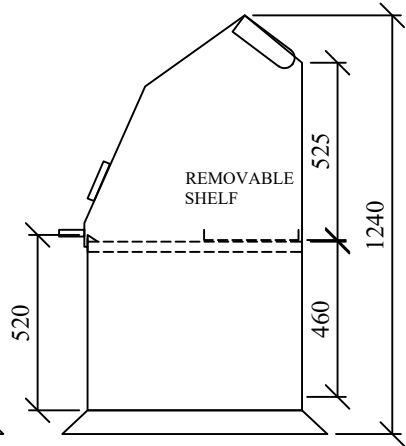
BASE SUPPORTS DOUBLE
AS FORKLIFT POINTS



FRONT ELEVATION



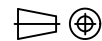
SIDE ELEVATION



SIDE ON SECTION

DO NOT SCALE

REMOVE ALL
BURRS AND
SHARP EDGES



THIRD ANGLE
PROJECTION

REV No	DATE	BY	CUSTOMER
REV 1			
REV 2			
REV 3			
REV 4			

CLEVELAND
SITESAFE
LIMITED

RIVERSIDE WORKS
CLEVELAND
TS3 8AT
01642 244663

DRAWN JWH	DESCRIPTION
SCALE	UNIVERSAL 180 UNIT
DATE 26/06/2009	DRG No UNI180WEB