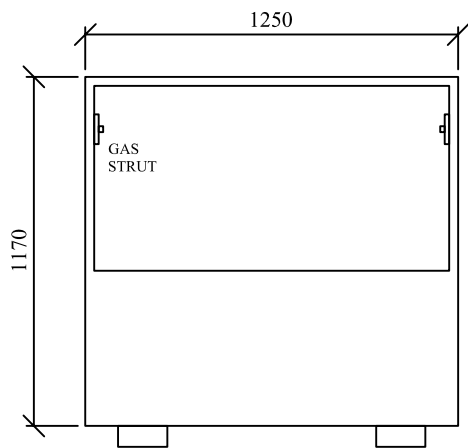
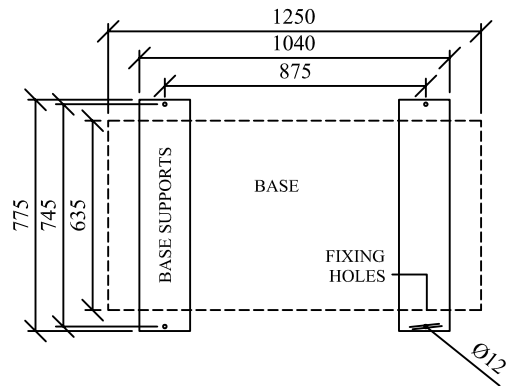
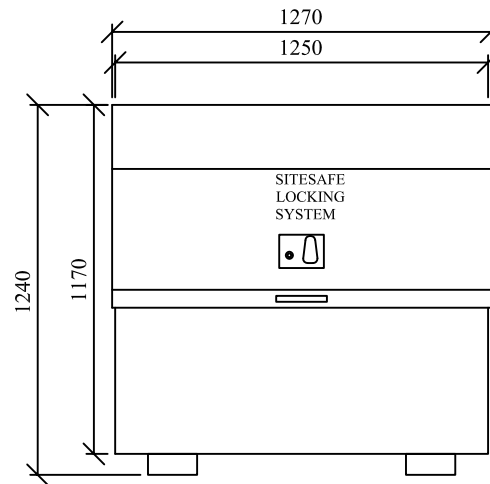


HIGHLY
SECURE
VANDAL RESISTANT

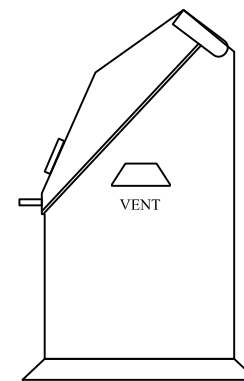


VIEW OF ACCESS OPENING - LID REMOVED

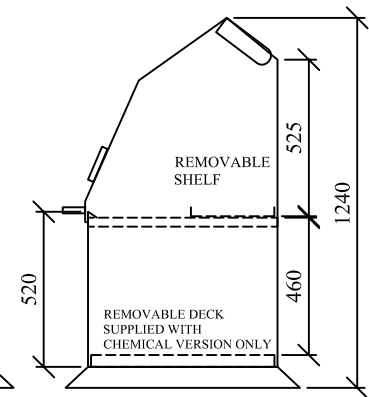
BASE SUPPORTS DOUBLE AS FORKLIFT POINTS



FRONT ELEVATION



SIDE ELEVATION



SIDE ON SECTION

DO NOT SCALE

REMOVE ALL
BURRS AND
SHARP EDGES

THIRD ANGLE
PROJECTION

REV No	DATE	BY	CUSTOMER
REV 1			
REV 2			
REV 3			
REV 4			

CLEVELAND
SITESAFE
LIMITED

RIVERSIDE WORKS
CLEVELAND
TS3 RAT
01642 244663

DRAWN
JWH
SCALE

DATE
26/06/2009

DESCRIPTION

UNIVERSAL 350 UNIT

DRG No UNI350WEB