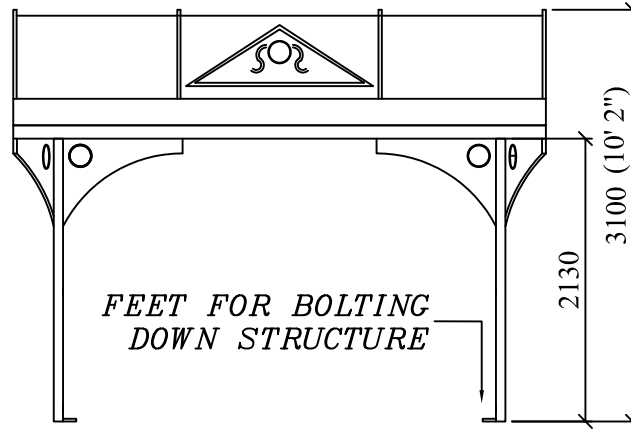


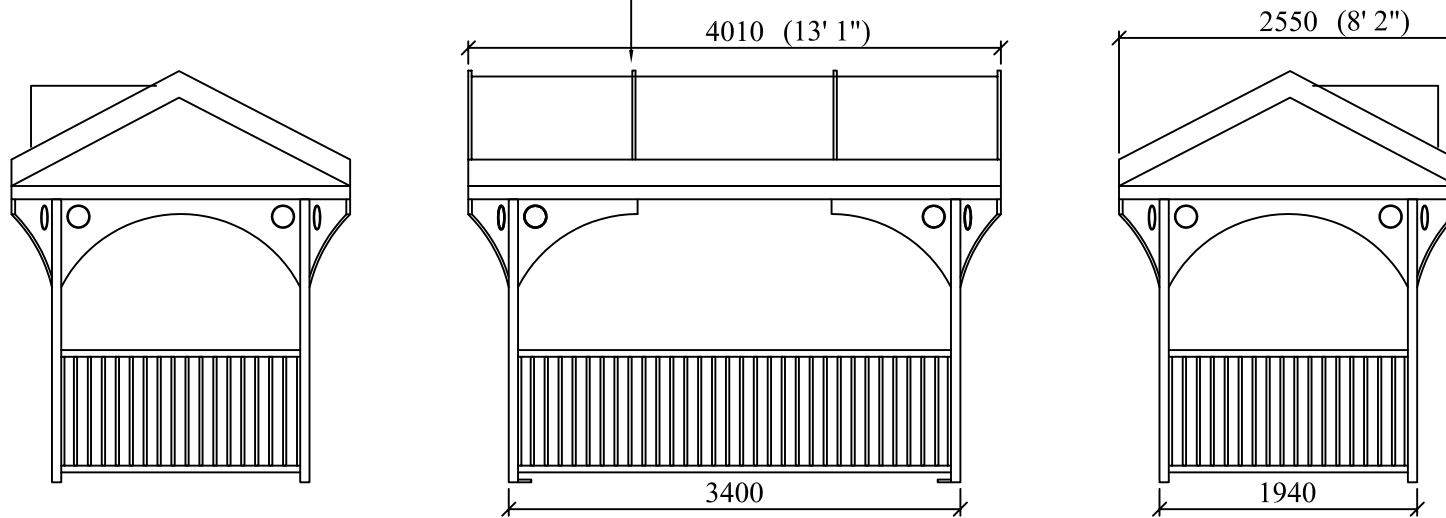
VANDAL RESISTANT STRUCTURE

PLEASE PROVIDE A PRICE FOR THIS VERSION BARRYPART COPY OF SEATING AREA IN BROCHURE AND APRIL 2008 PRICE ON FOLLOWING PAGE. YOU COULD SUGGEST WHERE YOU CAN MAKE SAVES AND LET ME KNOW WHAT TO CHANGE ON THE DESIGN



FRONT ELEVATION

FLAT ROOF WITH STEEL RIB DETAIL



SIDE ELEVATION

REAR ELEVATION

SIDE ELEVATION

DO NOT SCALE	 THIRD ANGLE PROJECTION	REV No	DATE	BY	CUSTOMER	CLEVELAND SITESAFE LIMITED <small>RIVERSIDE WORKS CLEVELAND 753 84T 01642 244663</small>	DRAWN JWH	DESCRIPTION SEATING AREA NO FLOOR OPEN FRONT
REMOVE ALL BURRS AND SHARP EDGES		REV 1					SCALE	
		REV 2					DATE	DRG No WEBSEATAREA01
		REV 3					22/12/2009	
		REV 4						