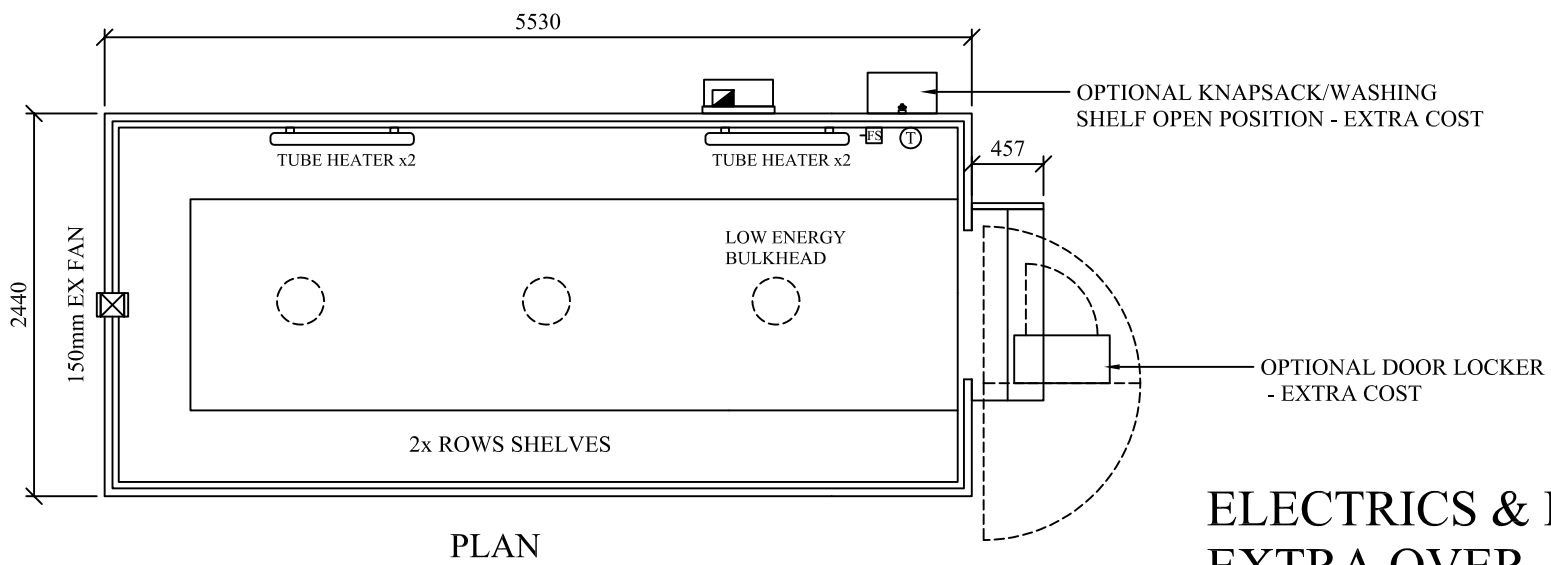
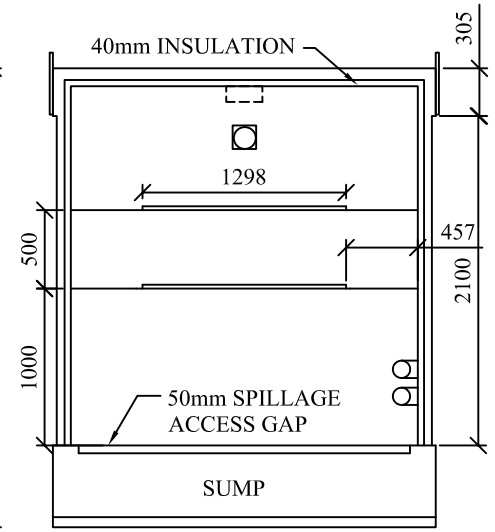
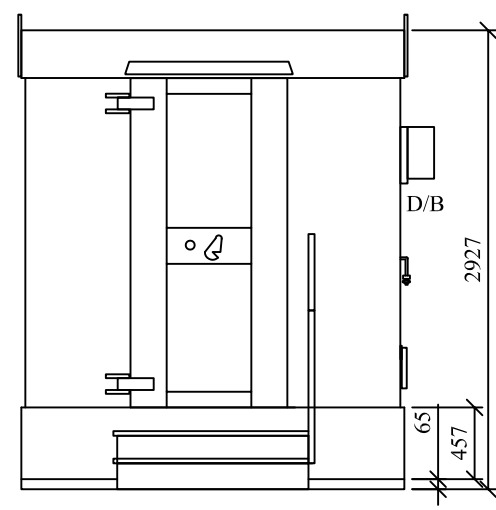
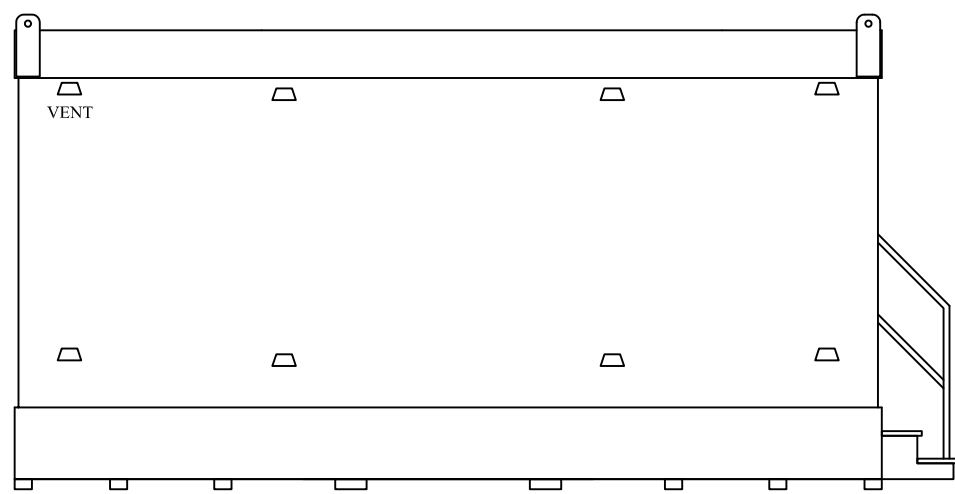


HIGHLY
SECURE
VANDAL
RESISTANT



**ELECTRICS & INSULATION
EXTRA OVER**

LIFTING LUGS



DO NOT SCALE REMOVE ALL BURRS AND SHARP EDGES	 THIRD ANGLE PROJECTION	REV No	DATE	BY	CUSTOMER	 RIVERSIDE WORKS CLEVELAND TS3 RAT 01642 244663	DRAWN	DESCRIPTION
		REV 1					JWH	
		REV 2					SCALE	
		REV 3					DATE	DRG No JH/WEB2014/6000CS
		REV 4					10/07/2014	