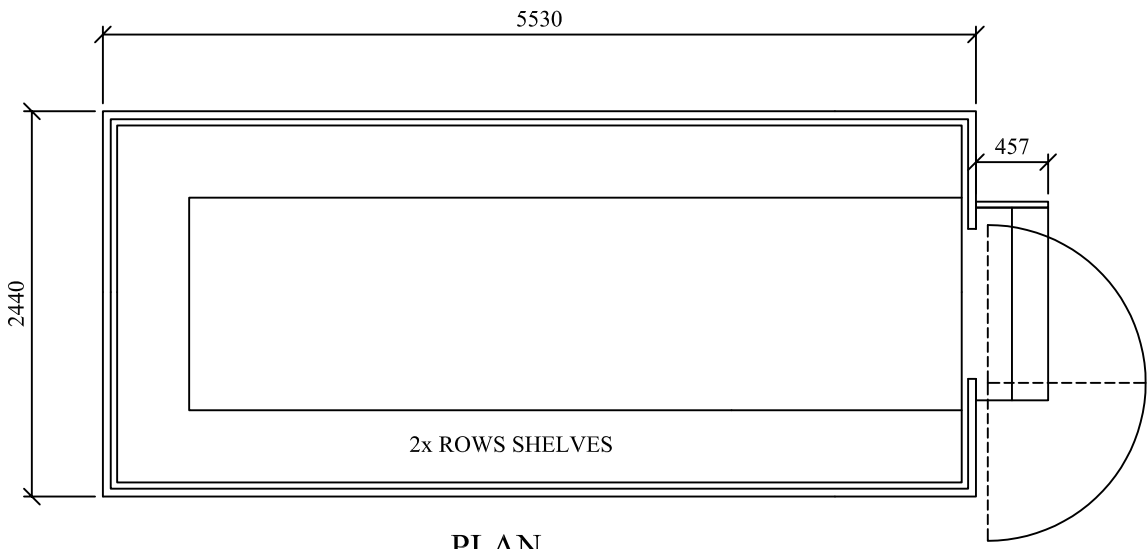


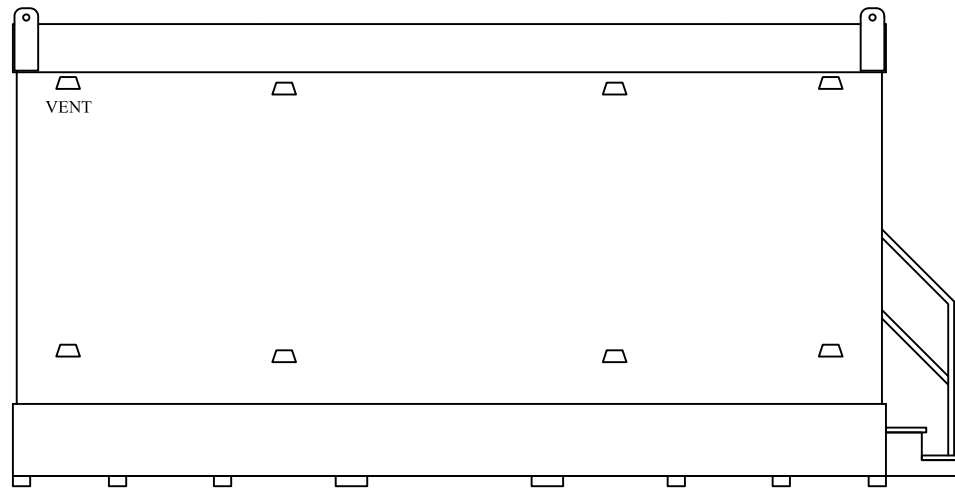
HIGHLY
SECURE
VANDAL RESISTANT



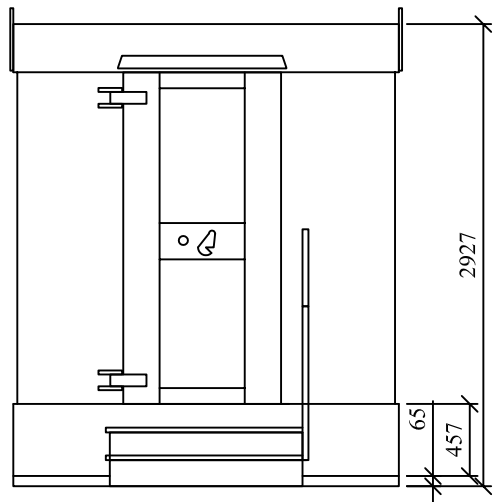
2x ROWS SHELVES

PLAN

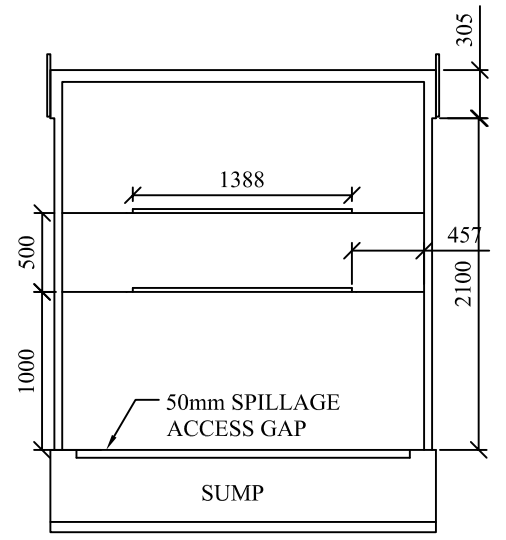
LIFTING LUGS



FRONT ELEVATION



SIDE ELEVATION



SECTION

DO NOT SCALE REMOVE ALL BURRS AND SHARP EDGES	 THIRD ANGLE PROJECTION	REV No	DATE	BY	CUSTOMER	CLEVELAND SITESAFE LIMITED <small>RIVERSIDE WORKS CLEVELAND TS3 RAT 01642 244663</small>	DRAWN	DESCRIPTION
		REV 1					JWH	
		REV 2					SCALE	
		REV 3					DATE	DRG No JH/WEB2014/6000CSB
		REV 4					10/07/2014	