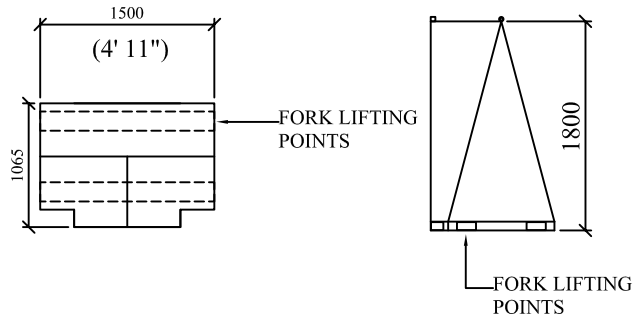
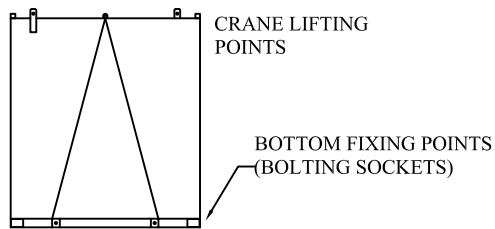


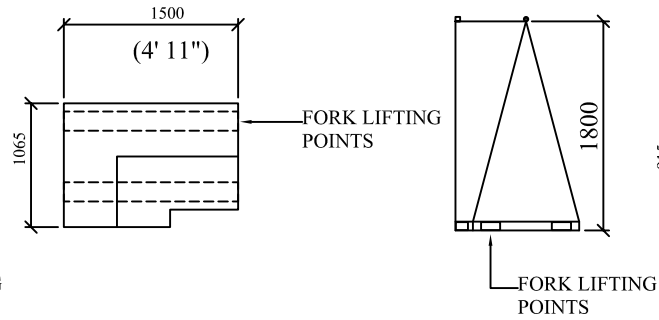
T SECTION



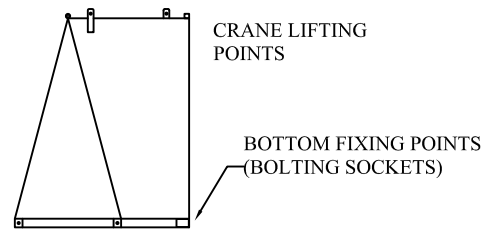
WEIGHT APPROX 300 KG



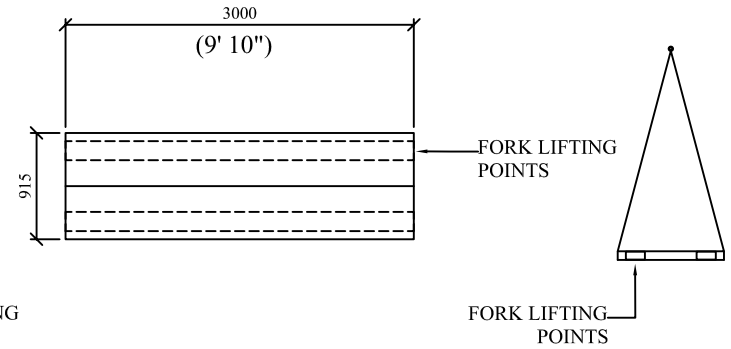
CORNER



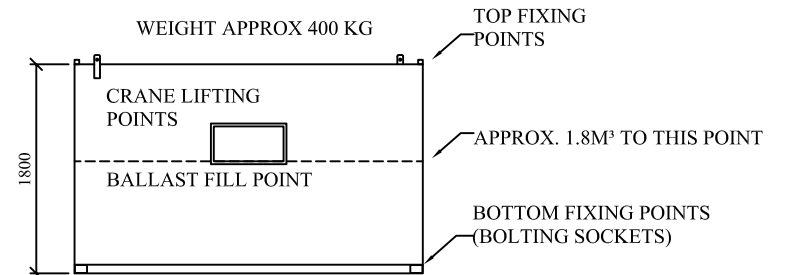
WEIGHT APPROX 250 KG



PANEL



WEIGHT APPROX 400 KG



IF YOU WISH TO BALLAST THE SECTIONS USE CONCRETE, SAND OR OTHER DRY MATERIAL. WE DO NOT GUARANTEE THE UNITS TO BE OR REMAIN WATER TIGHT FOR BALLASTING PURPOSES

DO NOT SCALE REMOVE ALL BURRS AND SHARP EDGES	 THIRD ANGLE PROJECTION	REV No	DATE	BY	CUSTOMER	CLEVELAND SITESAFE LIMITED <small>RIVERSIDE WORKS CLEVELAND TS3 RAT 01642 244663</small>	DRAWN	DESCRIPTION		
		REV 1					JWH		BUNKER WALLS 1.8m HIGH	
		REV 2					SCALE			
		REV 3					DATE			DRG No WEBBUNKERWIM
		REV 4					12/04/2011			