

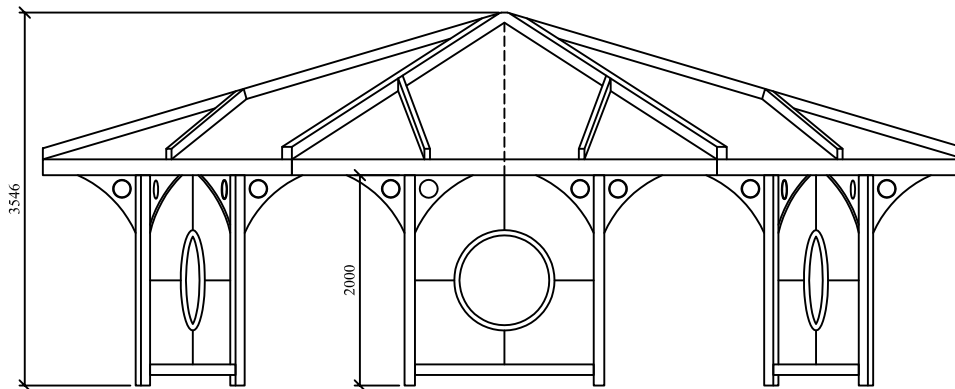
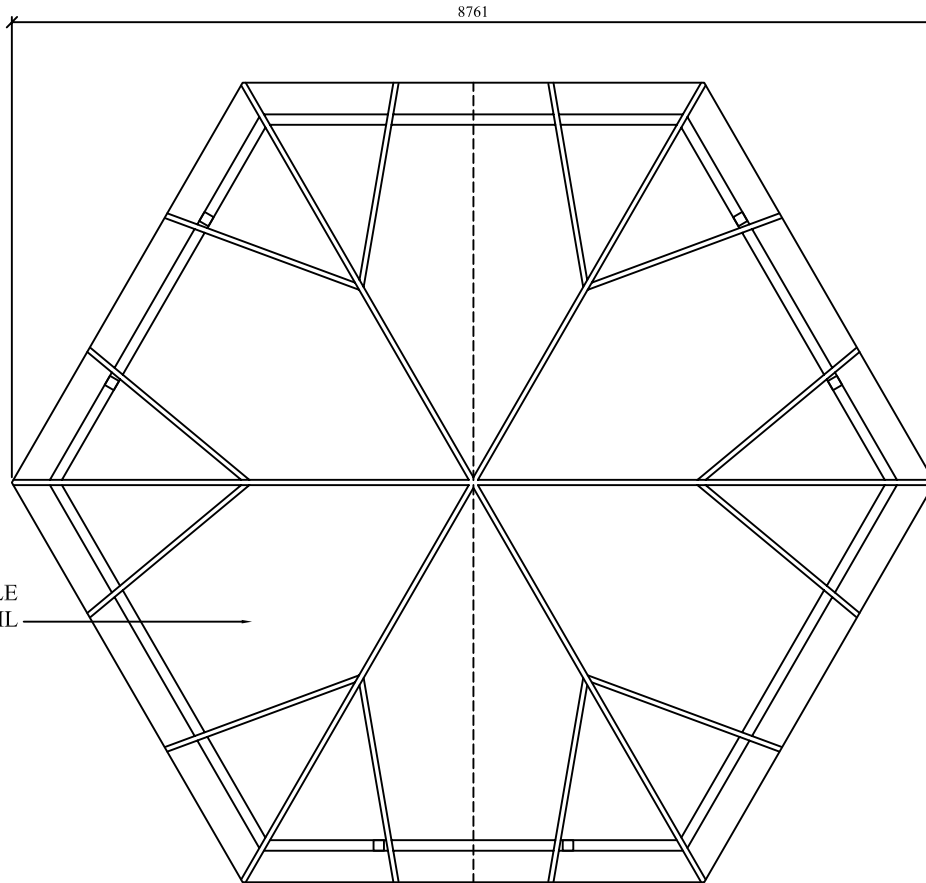
HIGHLY
SECURE
VANDAL RESISTANT

Notes:

Finish in 2 Pack Poly 3
Coat System

Actual Roof Design to be
confirmed at fabrication

EXAMPLE OF POSSIBLE
ROOF DETAIL →



DO NOT SCALE

REMOVE ALL
BURRS AND
SHARP EDGES

THIRD ANGLE
PROJECTION

REV No	DATE	BY
REV 1		
REV 2		
REV 3		
REV 4		

CUSTOMER

**CLEVELAND
SITESAFE
LIMITED**

RIVERSIDE WORKS
CLEVELAND
753 RAY
01642 244663

DRAWN
JWH
SCALE
DATE
07/12/2009

DESCRIPTION
BANDSTAND HEXAGONAL
DRG No